

ANITECH 

AQUATEC
antifreeze water bowls
100



For further information
please contact **Export Office**
E-mail: purchasing@alpha-vet.hu

ANITECH 


-30°C

Freeze free water supply down to -30 celsius

30

Water supply for 30 animals

100l

100 l volume



Closed house for maximum hygiene

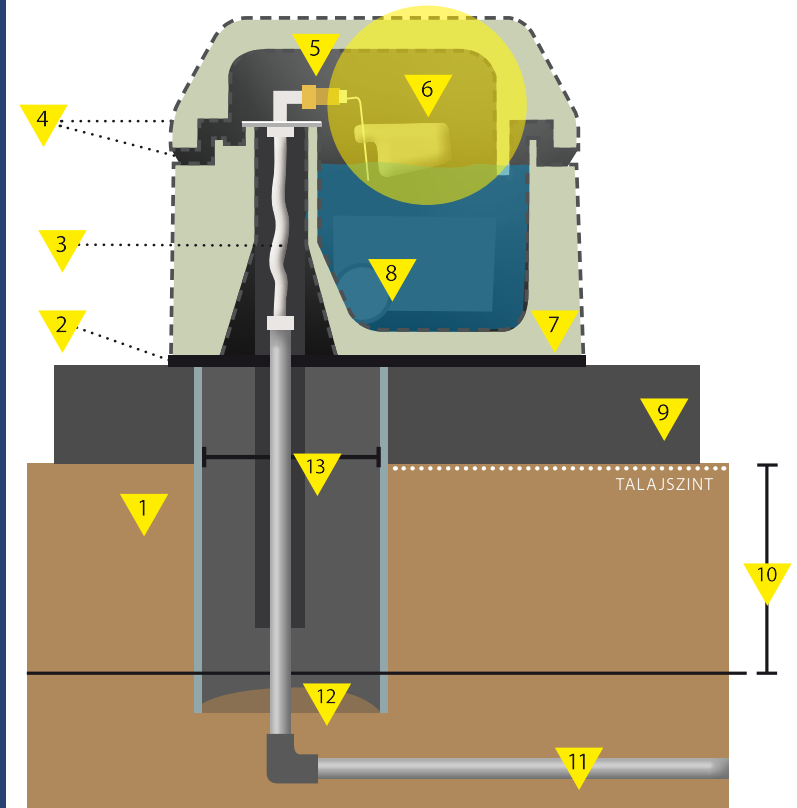


No power supply needed

Aquatec 100

antifreeze water bowls

- For supplying water to up to 30 animals.
- Volumes: 100 litres.
- Incl. Float valve with water flow rate of up to 35 l/min.
- No power connection required.
- Excellent insulation thanks to double wall with thermal foam filling.
- Constant water temperature pleasant at any time of year for animals (approx. 3 to 5 °c in winter, approx. 10 to 12 °c in summer).
- Rapid draining and rinsing thanks to large outlet openings of diameter 100 mm 2x.
- ½" Connection.
- Closed housing prevents soiling and ensures maximum water hygiene.
- Incl. Ground seals, replacement gaskets for the float valve and drain stop, flexible stainless steel hose, pipe insulation, floor anchor.



Connection diagram

1. Pipe insulation
2. Ground insulating seal
3. Woven stainless steel hose
4. Double sealing strips
5. Floating valve
6. Ball
7. Insulating with PU hard foam
8. Large fast-acting drain
9. Concrete pedestal (at least 15 cm thick)
10. Frost-free depth (0.8 - 2.0 m - depending on region)
11. Water inlet 1/2"
12. Base open so that ground heat can climb
13. Pipe: minimum diameter 30 cm